

Since the usage and finishing of the product is not under our control, we accept no liability for the success of our products as per the accompanying product data sheets and in accordance with our general terms and conditions of sale. The properties listed here represent no guarantee with respect to the eventual use of our products. We reserve the right to make changes due to technical advances. Any other technical information given in the course of a consultation must be confirmed in writing. Colours shown here are restricted by the printing techniques and may differ from those exhibited by the products themselves. We also reserve the right to make alterations to the product technology or design. Only the current version of this data sheet is valid. Such versions are accessible by anyone via the internet. The issue of the latest data sheet invalidates all those that have been published beforehand.

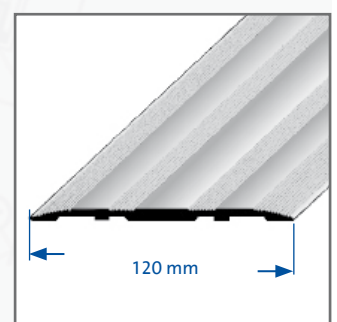
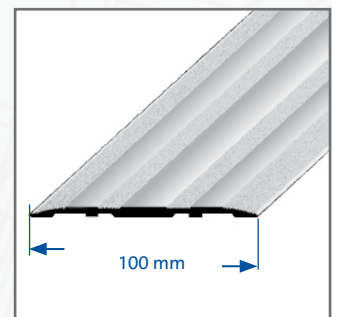
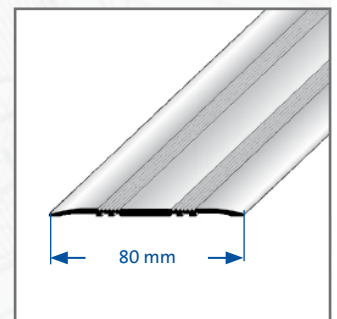
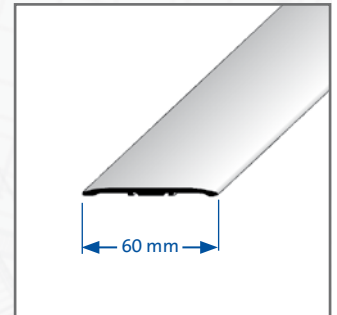
# DURAFLEX

1/2

## Expansion joint profile for retro-fitting into existing flooring – KA series

- Information Sheet -

**DURAL**



### APPLICATION:

DURAFLEX-KA cover profiles for subsequent installation in existing flooring are used to cover over wide joints or cracks. They are available in various materials and widths with either a smooth or a ribbed surface. They can be screwed down or are self-adhesive.

All products and materials must be carefully checked beforehand to assess their suitability for the intended use. Recognised standards of good technical practice must be adhered to at all times!

- Width:**            **Aluminium:** 60 mm (smooth surface)  
                          80 / 100 / 120 mm (ribbed surface)  
                          **Stainless steel:** 60 / 80 / 100 mm (smooth surface)
- Duty:**             Suitable for pedestrian and vehicle traffic

### HANDLING:

Depending upon the application, press the self-adhesive joint profile firmly down onto the cleaned and dry foundations. For medium duty applications, screw the profile onto the foundations using suitably sized rawlplugs spaced at intervals of approximately 30 cm.

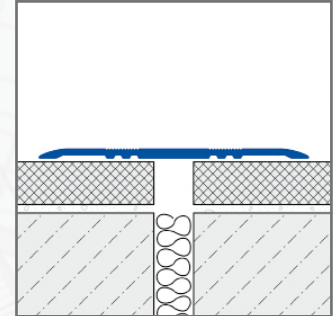
DURAL GmbH  
Südring 11  
D-56412 Ruppach-Goldhausen  
Tel. +49 (0) 2602/9261-0  
Fax +49 (0) 2602/9261-50  
info@dural.com

## Expansion joint profile for retro-fitting into existing flooring – KA series

- Information Sheet -

### CLEANING AND CARE:

The DURAFLEX joint profile does not require any special care. Clean the surface of the profile where necessary with a neutral cleaning agent and wipe it dry. Do not use acidic or alkaline cleaning agents.



### PRODUCT DATA:

<b>MATERIAL:</b>	Aluminium, natural, anodised / stainless steel (V2A)
<b>VISIBLE WIDTH:</b>	Stainless steel: 60 / 80 / 100 mm Aluminium: 60 / 80 / 100 / 120 mm
<b>JOINT WIDTH:</b>	up to 12 mm / 60 mm profile width up to 20 mm / 80 mm profile width up to 30 mm / 100 mm profile width up to 50 mm / 120 mm profile width
<b>PROFILE LENGTH:</b>	250 cm

DURAL GmbH

Südring 11

D-56412 Ruppach-Goldhausen

Tel. +49 (0) 2602/9261-0

Fax +49 (0) 2602/9261-50

info@dural.com